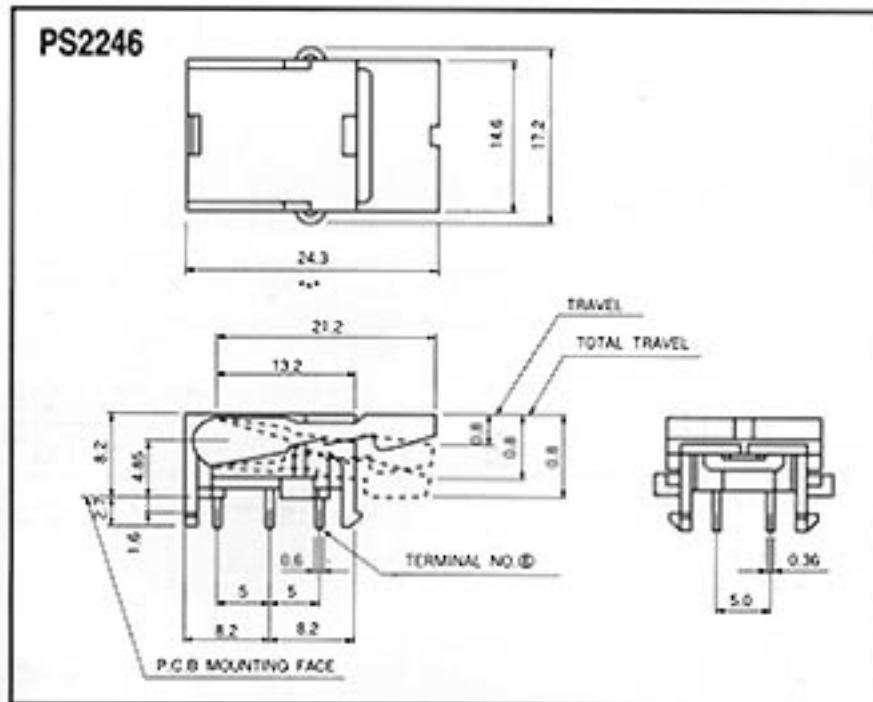




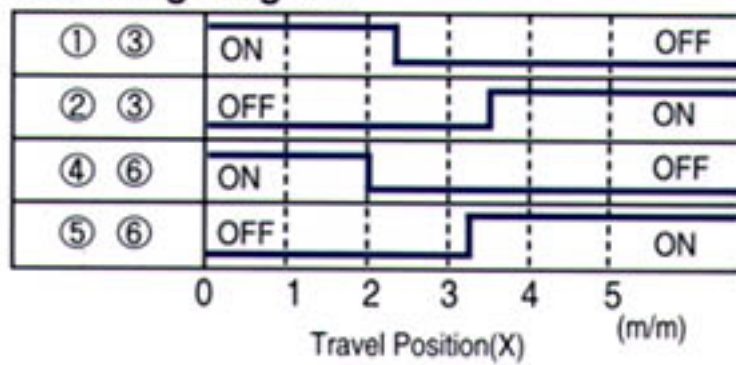


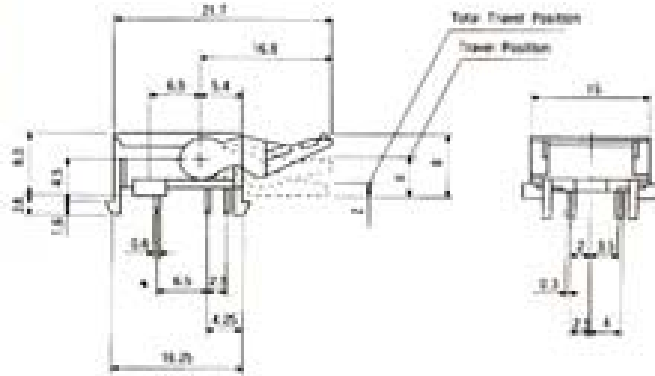
CHUNGSONG

## TELEPHONE HOOK SWITCHES



### Time Lag Diagram



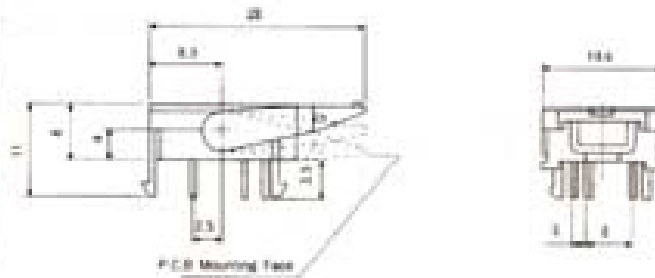
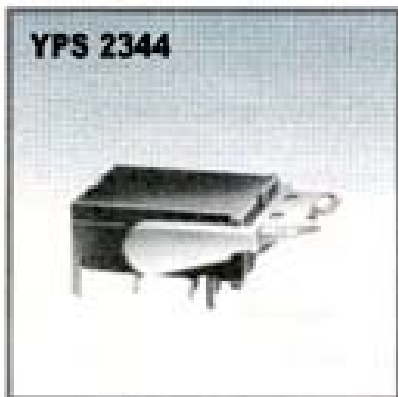


**Time Lag Diagram**

① ③	ON		OFF
② ③	OFF		ON
④ ⑥	ON		OFF
⑤ ⑥	OFF		ON

6.5Max. 3.5Min. (m/m)  
Travel Position(X)

- 1. Rating : DC 48V 0.2A
- 2. Contact Resistance : 50mΩMax.
- 3. Circuit : 2C-2P
- 4. Operating Force : 70gf Max.



**Time Lag Diagram**

① ③	ON		OFF
② ③	OFF		ON
④ ⑥	ON		OFF
⑤ ⑥	OFF		ON
⑦ ⑨	ON		OFF
⑧ ⑨	OFF		ON

6.5Max. 3.5Min. (m/m)  
Travel Position(X)

- 1. Rating : DC 48V 0.2A
- 2. Contact Resistance : 50mΩMax.
- 3. Circuit : 3C-2P
- 4. Operating Force : 70gf Max.